

1 2 3 4 5 6 7 8

A

A

B

B

C

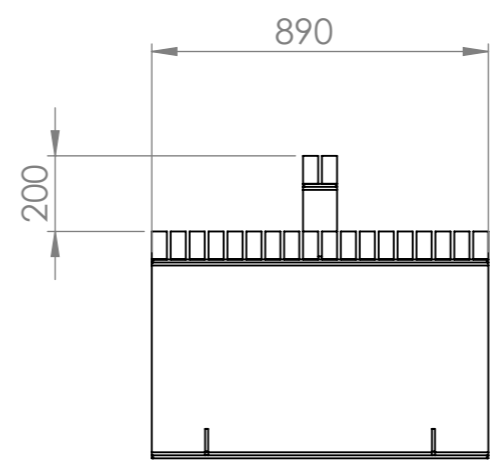
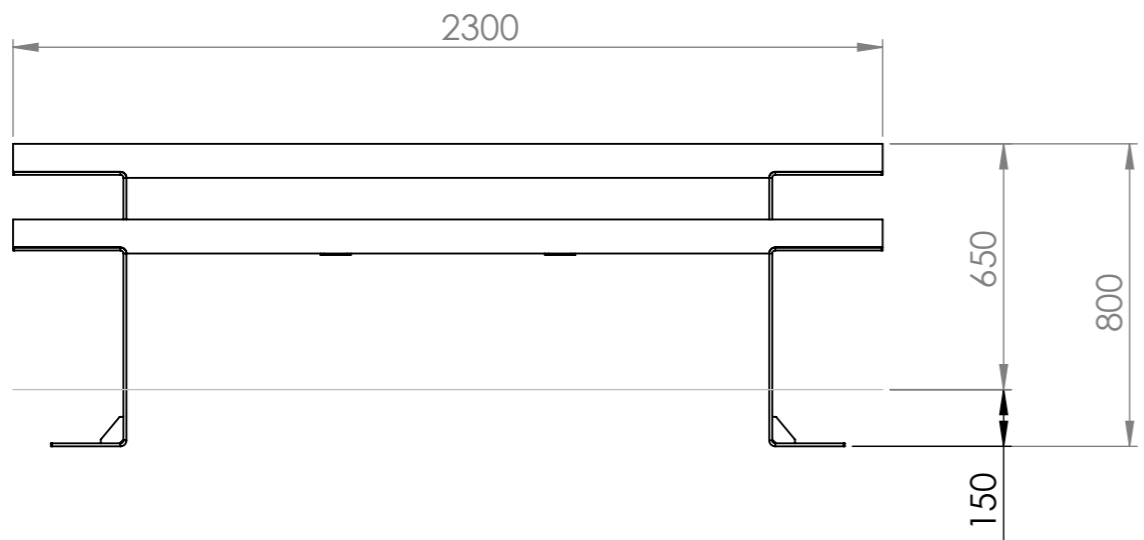
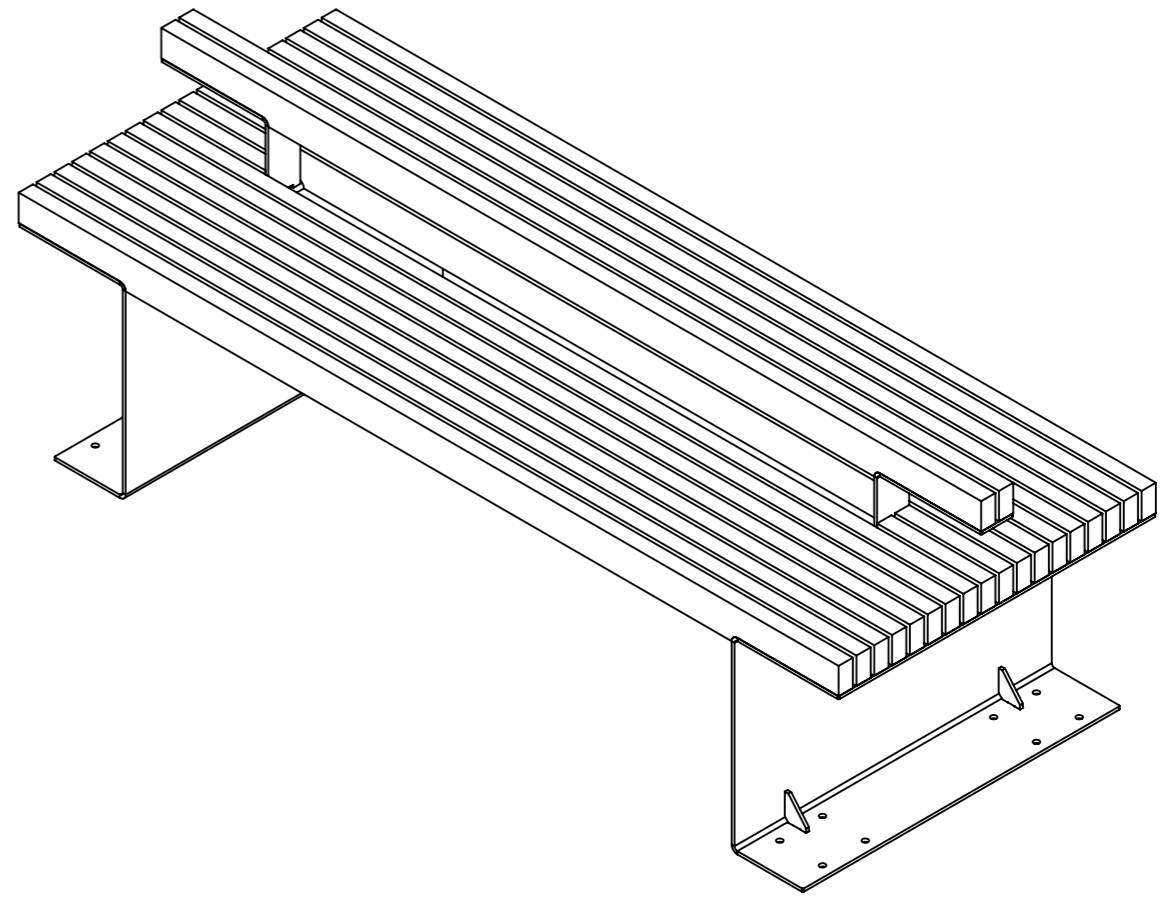
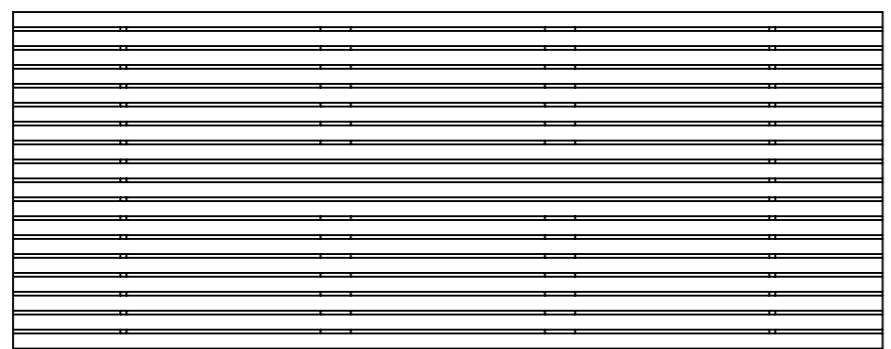
C

D

D

E

F



DRAWN	Pleuni Bongers	DATE	22-2-2021
REVISION	Rawien Motie	DATE	22-7-2024



TITLE: BOBE_2300DB

FURNS
TRANSFORMING URBAN SPACES

Liessentstraat 4, 5405 AG Uden (NL).
t 0031 (0)413 - 27 41 68.
e info@furns.nl, i www.furns.nl

Drawing: BOBE_2300DB

A3

Color: -

SCALE:1:50

SHEET 1 OF 5

1 2 3 4